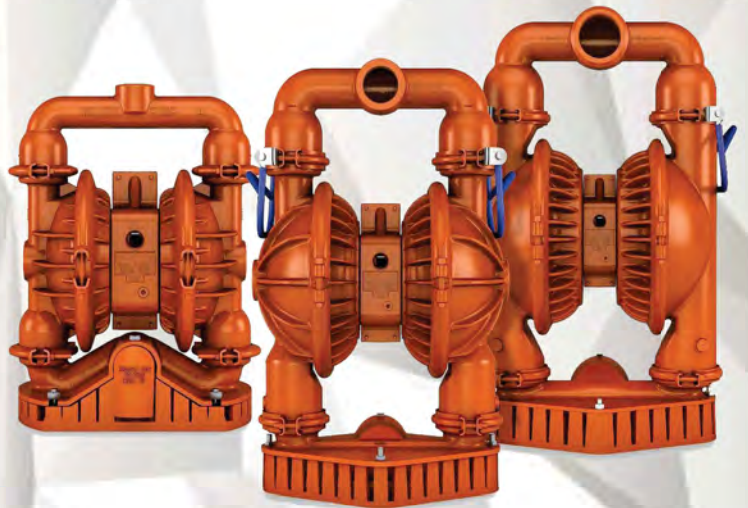


mf

Mecfluid SpA

LINEA DE PRODUCTOS



ESPECIALISTAS EN APLICACIONES INDUSTRIALES Y MINERAS

IND**Bombas de diafragma**

Bomba de diafragma con cuerpo central de pilopropileno entregando mayor resistencia a la corrosión y daño por roturas de diafragmas.

IND**Bombas de diafragma estilo Wilden**

Bomba de diafragma estilo Wilden con 100% de equivalencia en sus partes y piezas. 100% de equivalencia en performance.

IND**Bombas ANSI estilo Goulds**

Bomba ANSI tipo Goulds 3196 y Durco ASME B73.1

Repuestos 100% compatibles con ANSI Goulds y Durco.

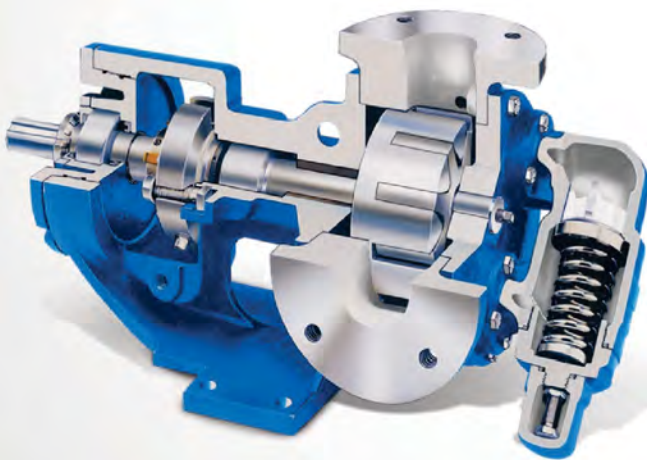
Servicio tecnico y repuestos.

IND**Bombas Autocebantes**

Bomba autocebante tipo Gorman Rupp serie T.

100% de compatibilidad

Servicio técnico y repuestos.

IND**Bombas de engranajes internos**

IND HL4195

Vs

Viking HL4195

Distribuidor exclusivo de Bombas de engranajes internos 100% equivalentes a Viking serie Universal y 4195 Modelos: GG, HJ, HL, AK, AS, AL4195 y modelos H, HL K, KK, L, LS, LQ; LL, Q y QS4124A

MD Pump



Stainless steel

Bombas de diafragma Electricas

Discharge

Discharge: It is in the form of double-size diameter, which can connect two models of water pipe. Stainless steel, aluminum alloy, cast steel and polypropylene materials are available for this accessory.

Upright

Upright: Anti-corrosive, leak-resistant, convient for clean. Overcurrent parts and air chamber, which are dealed with special processes, can totally withstand the poor working environment. Stainless steel, aluminum alloy, cast steel and polypropylene materials are available for this accessory.

Central body

Central body: Anti-corrosive, leak-resistant, convient for clean. Overcurrent parts and air chamber, which are dealed with special processes, can totally withstand the poor working environment.

Suction

Suction: It is in the form of double-size diameter, which can connect two models of water pipe. Stainless steel, aluminum alloy, cast steel and polypropylene materials are available for this accessory.

Motor

Motor: A high performance motor IP55, IP65, IP66, IP67

Copper ring

Copper ring: More reliable on wear resistance and make sure a longer life for the connecting rod bearing.

Copper ring

Connecting rod bearing: Reasonable size and processing technology make sure a longer life for the connecting rod bearing, as well as make the transmission more accurate.

Diaphragm

Diaphragm: It is advantaged of excellent sealing properties, wear resistance, as well as corrosion resistance. In a result, it can be useful in a variety of harsh environments.

Valve ball

Valve ball: High strength, impact resistance, high-precision processing technology guarantees a higher tightness to improve the overall performance of the pump.

Valve seat

Valve seat: Impact resistance, corrosion resistance and good sealing performance, makes the seat being able to withstand harsh media environment.

Bomba de diafragma eléctrica proporcionan un gran ahorro de energía. No requieren compresor de aire ya que usan motor eléctrico.

Bombas de vacío para alimentos

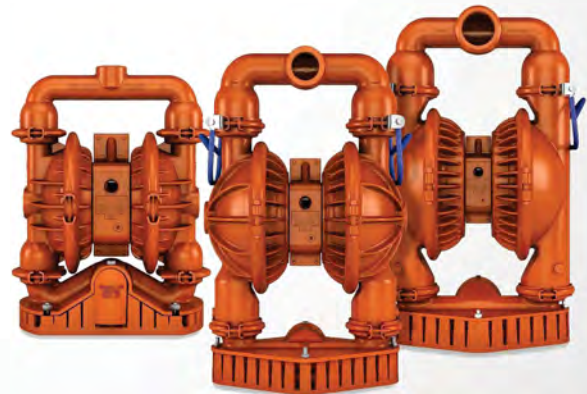


Bombas VC, diseñadas especialmente para mover trozos de alimentos sin dañarlos ya que es capaz de succionar trozos de hasta 7" con muy poca necesidad de agua. Puede incluso bombear peces vivos.

WILDEN®

AIR OPERATED DOUBLE DIAPHRAGM PUMPS
A DOVER RESOURCES COMPANY

Bombas de diafragma



Bombas de diafragma de aluminio, polipropileno, acero inoxidable.
Repuestos y servicio técnico.

ALH Series Heavy duty

Caracteristicas...

albin
pump

- Amplio rango de mangueras: 15 diferentes tamaños
 - Hasta 144,000 L/h con bomba duplex
 - Diseño simple sin rodamientos
 - Facil y bajo mantenimiento
 - Caucho natural (NR), NR FDA, NBR, NBR FDA, EPDM, o FKM
 - Auto cebantes hasta 9,8 metros a nivel del mar (Maximo vacio)
 - Puede trabajar en seco.
 - Puede bombear en ambas direcciones.
 - Permite el paso de solidos de hasta 30%
 - Gran exactitud para aplicaciones de dosificacion
 - Libre de sello lo que elimina fugas, contaminacion y desgaste.
- Contruccion en Hierro Ductil
Presiones de hasta 15 bar.



BOMBA ALH
peristáltica de alta resistência



Repuestos para bombas de diafragma



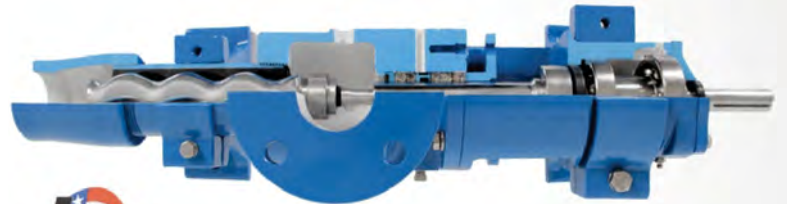
Diafragmas, bolas, asientos, Kits aire, Kits Humedos, partes y piezas en general

Repuestos para bombas de Tornillo



Rotores, estatores, Kits Tornillo, Kits Humedos, partes y piezas en general

Bombas de cavidad progresiva

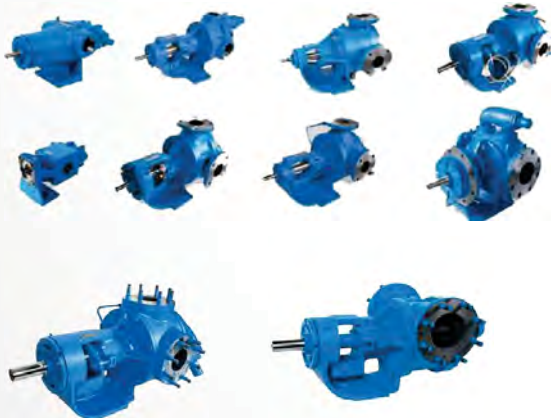


Las Bombas de cavidad progresiva Liberty reemplazan a Mono, Moyno, Seepex, Netzsch, Allweiler y Tarby.



VIKING PUMP

SANDPIPER
A WARREN RUPP, INC. BRAND



Bombas de engranajes internos Viking y Bombas de Diafragma Sandpiper

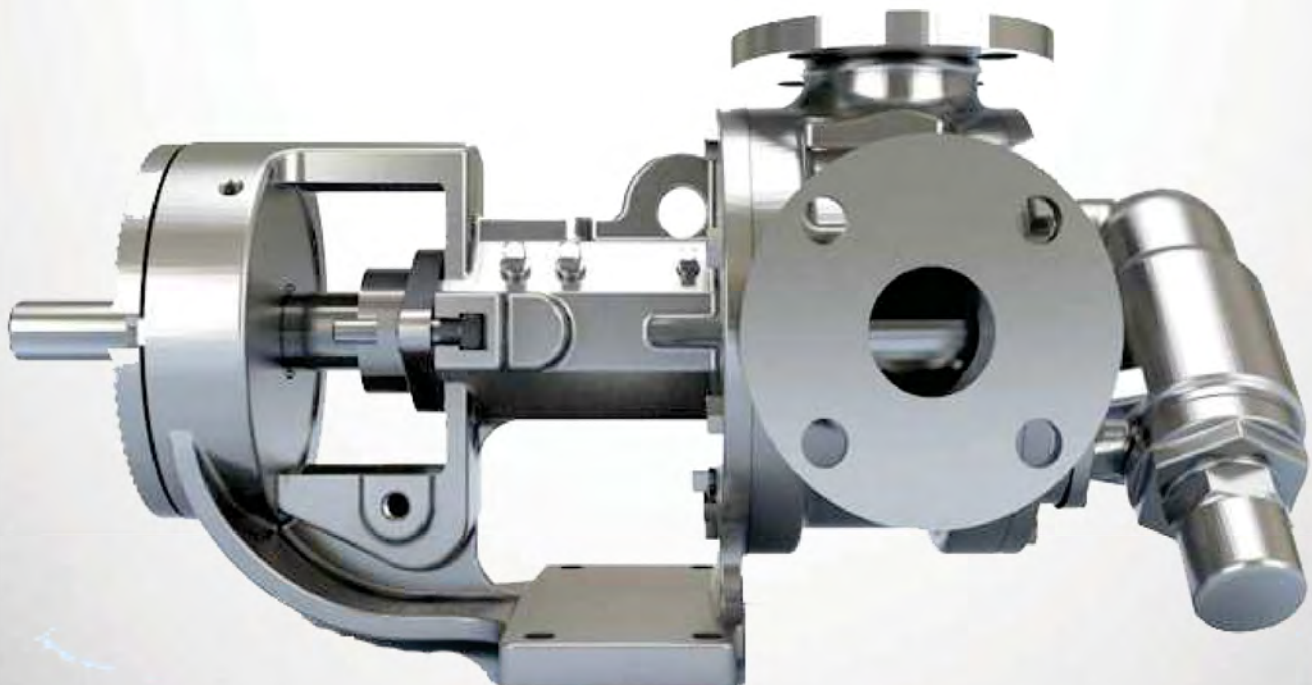
Servicio técnico en Santiago.

maag[®]

Part of Pump Solutions Group

A DOVER[™] COMPANY

Bombas de engranajes Internos marca Maag del grupo PSG



Neptune

Bombas dosificadoras

Standard Model: PVC ▶ (VFC/VEC)

- General chemical applications
- Valve seats and O-rings are available in Viton® or EPDM
- Built-in relief valve



Universal Model: PVDF ▶ (FFC/FEC/FTC)

- For most chemicals and highly corrosive chemicals
- Valve seats and O-rings are available in Viton®, EPDM or Teflon®
- Built-in relief valve



Stainless Steel Model (SS) ▼

- For solvents and other chemicals where plastics are not suitable



Chlorine Model: Acrylic (CL) ◀

- Transparent pump head allows visual check of valves
- Reduced head volume and upward sloping ports vent gas away from diaphragm
- Improved pump efficiency for countering gas lock
- Built-in relief valve



Chlorine Model: Acrylic (ARPZ) ◀

- CL model with automatic air release mechanism
- Derate capacity 5% for air release models



Coyancura No 2270 Of 801
Providencia, Santiago
Fono 562 2938 2570

www.mecfluid.com

